

Output Jogger Unit Type 3260  
(B703)

## Output Jogger Unit Type 3260 (B703)

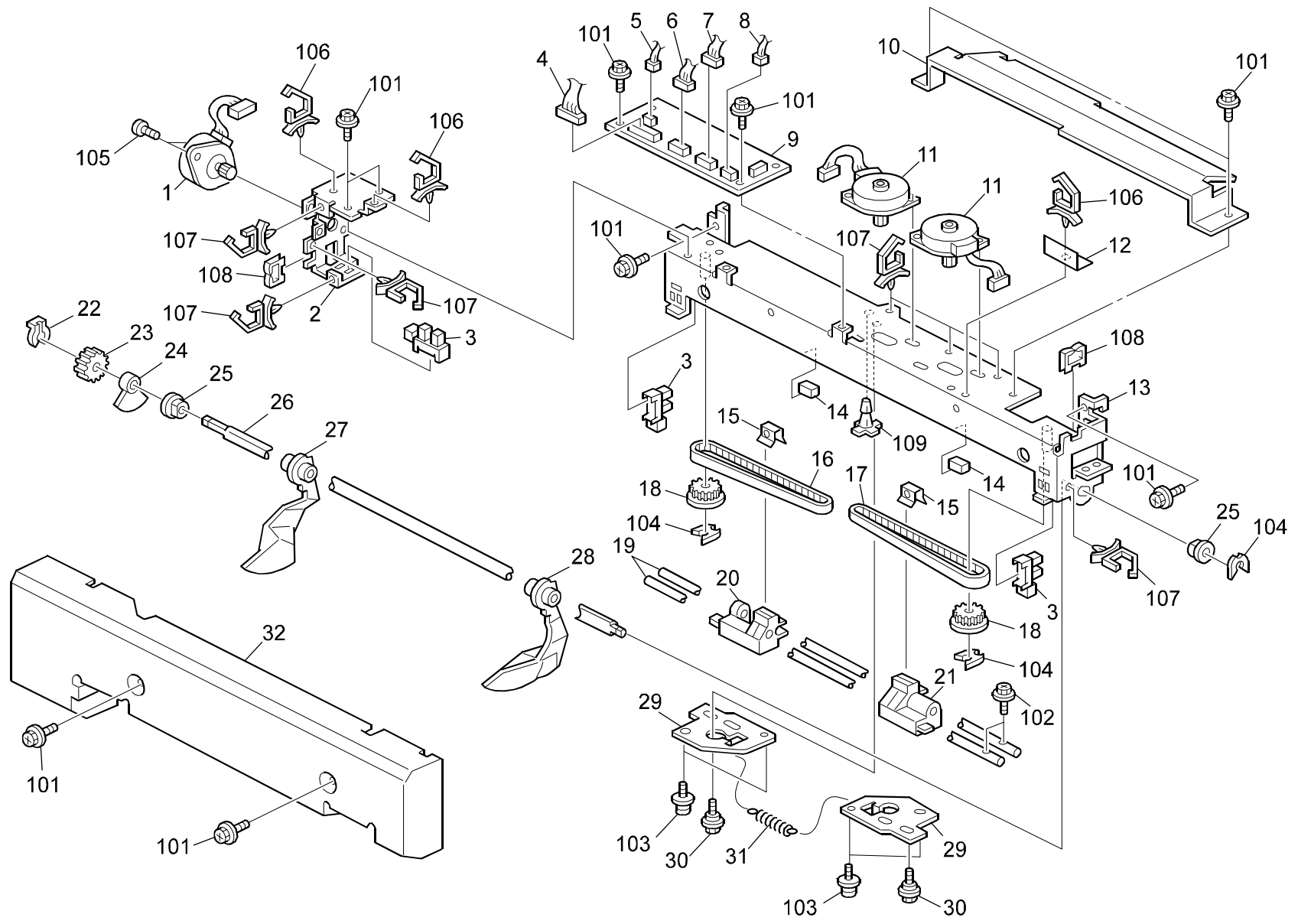
### PARTS CATALOG

This catalog gives the numbers and names of parts on this machine.

1.Output Jogger Unit (B703).....	2
<b>Parts Index</b> .....	<b>5</b>

April ,8' 2005

# 1.Output Jogger Unit (B703)



## 1. Output Jogger Unit (B703)

Index No.	Part No.	Description	Q'ty Per Assembly
1	B700 5804	Stepper Motor:DIA42:Z17:Ass'y	1
2	B703 1132	Bracket:Drive:Jogger:Take Shejter	1
3	AW02 0156	Photointerruptor:EESX4235A-P2	1
4	B703 5200	Harness:Shift:Jogger	1
5	B703 5240	Harness:Motor Control:Take Shejter	1
6	B703 5220	Harness:Sensor:Shift:Jogger:Option	1
7	B703 5230	Harness:Motor Control:Front	1
8	B703 5210	Harness:Sensor:Front:Jogger:Option	1
9	B703 5100	PCB:Shift:Jogger	1
10	B703 1156	Bracket:Cover:PCB	1
11	AX04 0209	Stepper Motor:DC 15V/3W	1
12	B703 1177	Guide:Frame:Harness	1
13	B703 1151	Frame:Jogger:Uniform:Ass'y	1
14	B703 1159	Guard:Frame	1
15	A300 3634	Spring Plate - Timing Belt	1
16	B703 1165	Timing Belt:B40S2M390	1
17	B703 1166	Timing Belt:B40S2M274	1
18	AB03 0227	Pulley - 32Z	1
19	B513 1115	Shaft:Slide	1
20	B513 1112	Holder:Jogger Fence:Inner Back	1
21	B703 1111	Holder:Jogger Fence:Front	1
22	5447 2681	Snap Ring	1
23	B478 3522	Gear:Z35	1
24	B513 1122	Feeler:Take Shejter:Jogger	1
25	5053 0447	Bushing - 6mm	1
26	B703 1121	Shaft:Jogger Fence:Moveable	1
27	B703 2120	Jogger Fence:Inner Back:Ass'y	1
28	B703 2110	Jogger Fence:Front:Ass'y	1
29	B703 1168	Bracket:Motor:Moveable	1
30	AA14 3790	Screw:Contact Point	1
31	B703 1162	Tension Spring:Jogger:2n	1
32	B703 1172	Cover:Jogger	1

Index No.	Part No.	Description	Q'ty Per Assembly
101	0451 3006N	Tapping Screw - 3x6	
102	0451 3008N	Tapping Screw - M3x8	
103	0951 3008N	Screw:Polished Roud:M3x8	
104	0805 0089	Retaining Ring - M4	
105	0453 3006N	Tapping Screw - M3x6	
106	1105 0487	Harness Clamp	
107	1105 0511	Harness Clamp - LWS-0306ZC	
108	1105 0328	Harness Clamp - ES-0505	
109	1105 0446	Spacer:5mm	

# Parts Index

## Parts Index

Part No.	Description	Page and Index No.
B703 1111	Holder:Jogger Fence:Front	3 - 21
B703 1121	Shaft:Jogger Fence:Moveable	3 - 26
B703 1132	Bracket:Drive:Jogger:Take Shejter	3 - 2
B703 1151	Frame:Jogger:Uniform:Ass'y	3 - 13
B703 1156	Bracket:Cover:PCB	3 - 10
B703 1159	Guard:Frame	3 - 14
B703 1162	Tension Spring:Jogger:2n	3 - 31
B703 1165	Timing Belt:B40S2M390	3 - 16
B703 1166	Timing Belt:B40S2M274	3 - 17
B703 1168	Bracket:Motor:Moveable	3 - 29
B703 1172	Cover:Jogger	3 - 32
B703 1177	Guide:Frame:Harness	3 - 12
B703 2110	Jogger Fence:Front:Ass'y	3 - 28
B703 2120	Jogger Fence:Inner Back:Ass'y	3 - 27
B703 5100	PCB:Shift:Jogger	3 - 9
B703 5200	Harness:Shift:Jogger	3 - 4
B703 5210	Harness:Sensor:Front:Jogger:Option	3 - 8
B703 5220	Harness:Sensor:Shift:Jogger:Option	3 - 6
B703 5230	Harness:Motor Control:Front	3 - 7
B703 5240	Harness:Motor Control:Take Shejter	3 - 5

Part No.	Description	Page and Index No.
A300 3634	Spring Plate - Timing Belt	3 - 15
B478 3522	Gear:Z35	3 - 23
B513 1112	Holder:Jogger Fence:Inner Back	3 - 20
B513 1115	Shaft:Slide	3 - 19
B513 1122	Feeler:Take Shejter:Jogger	3 - 24
B700 5804	Stepper Motor:DIA42:Z17:Ass'y	3 - 1

Part No.	Description	Page and Index No.
AA14 3790	Screw:Contact Point	3 - 30
AB03 0227	Pulley - 32Z	3 - 18
AW02 0156	Photointerruptor:EESX4235A-P2	3 - 3
AX04 0209	Stepper Motor:DC 15V/3W	3 - 11

Part No.	Description	Page and Index No.
0451 3006N	Tapping Screw - 3x6	3 - 101
0451 3008N	Tapping Screw - M3x8	3 - 102
0453 3006N	Tapping Screw - M3x6	3 - 105
0805 0089	Retaining Ring - M4	3 - 104
0951 3008N	Screw:Polished Roud:M3x8	3 - 103
1105 0328	Harness Clamp - ES-0505	3 - 108
1105 0446	Spacer:5mm	3 - 109
1105 0487	Harness Clamp	3 - 106
1105 0511	Harness Clamp - LWS-0306ZC	3 - 107

Part No.	Description	Page and Index No.
5053 0447	Bushing - 6mm	3 - 25
5447 2681	Snap Ring	3 - 22

Part No.	Description	Page and Index No.
----------	-------------	--------------------